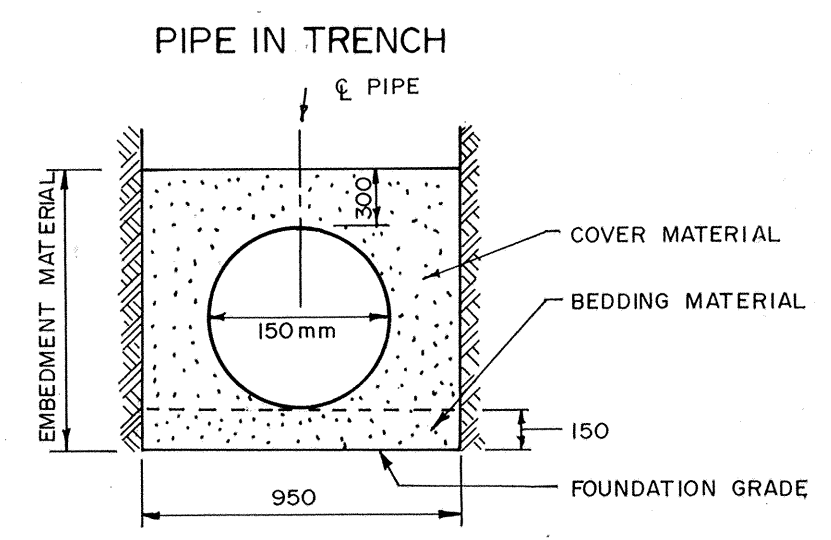
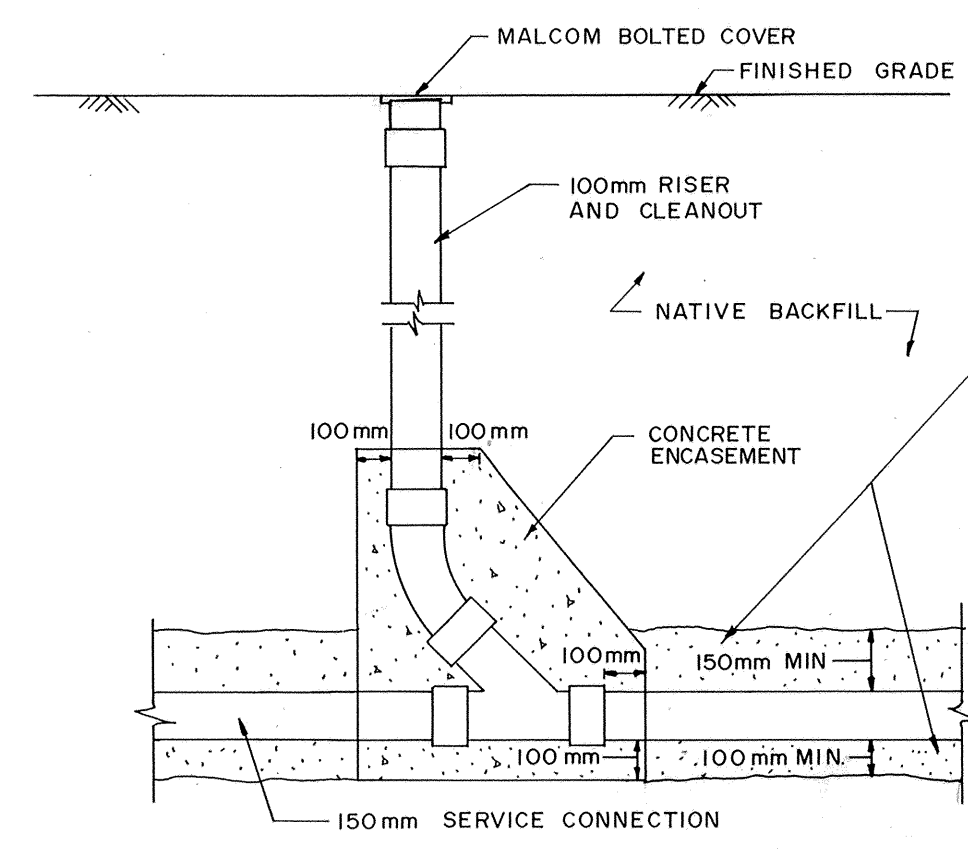


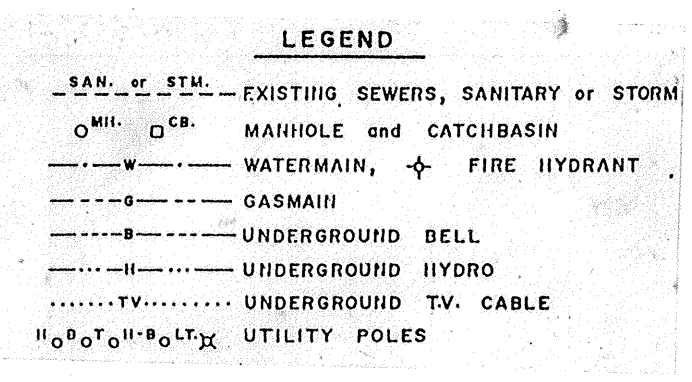
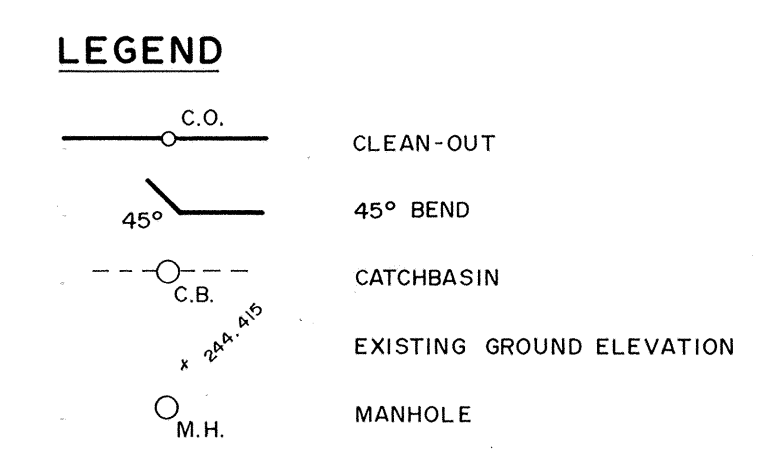
- FORCEMAIN CONSTRUCTION NOTES**
1. MINIMUM DEPTH OF COVER OVER FORCEMAIN TO BE 1.50m.
  2. BEDDING FOR SANITARY SERVICE AND FORCEMAIN TO BE CLASS 'B' AS PER O.P.S.D. 1005.02 THIS DWG.

- WATERMAIN CONSTRUCTION NOTES**
1. MINIMUM DEPTH OF COVER ON WATERMAIN TO BE 1.5m.
  2. BEDDING FOR WATERMAIN TO BE AS PER O.P.S.D. 1102.01 (CLASS 'B')
  3. CONTRACTOR TO LIMB EXISTING TREES AND BUSHES ALONG EAST SIDE OF WATERMAIN EASEMENT AS DIRECTED BY THE ENGINEER.
  4. EXACT LOCATION OF FIRE HYDRANT TO BE DETERMINED AT TIME OF CONSTRUCTION.
  5. BACKFILL MATERIAL ACROSS ASPHALT PORTION OF QUEEN STREET TO BE GRANULAR AS SPECIFIED.
  6. EXACT LOCATION OF FORCEMAIN IN THE PARKING LOT AREA TO BE DETERMINED AT TIME OF CONSTRUCTION.



**BEDDING FOR SANITARY SEWERS**  
O.P.S.D. - 1005.02  
N.T.S.

- NOTES:**
- A) BACKFILL ACCORDING TO O.P.S.D. - 803.04
  - B) ALL DIMENSIONS ARE IN MILLIMETRES UNLESS OTHERWISE SHOWN.



B.M. Elev. - 243.113		B.M.ROSS AND ASSOCIATES LIMITED	
EAST PIPE INVERT M.H. NO 1		CONSULTING ENGINEERS	
RIPLEY CONTRACT NO 1		GODERICH ONTARIO	
DATE	DRWN. - S.W.B.	SCALE	AS BUILT DEC 1992
FEB. 10 / 92	CHK'D. - S.D.B.	1 : 400	



TOWNSHIP OF HURON RIPLEY / HURON COMMUNITY CENTRE		FILE No. 90171
SITE PLAN		DWG No. 1
SEWAGE PUMPING STATION AND FORCEMAIN		