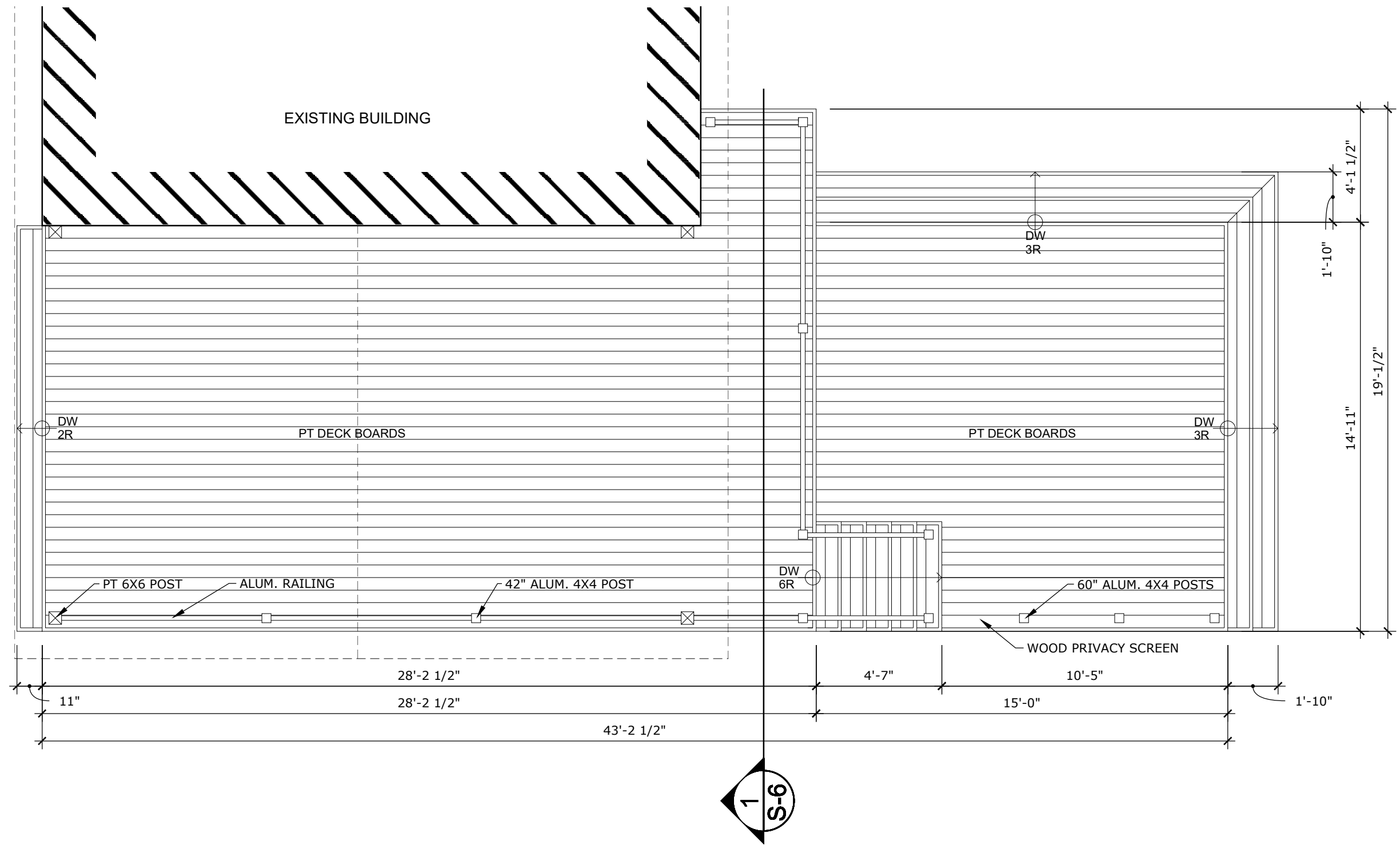


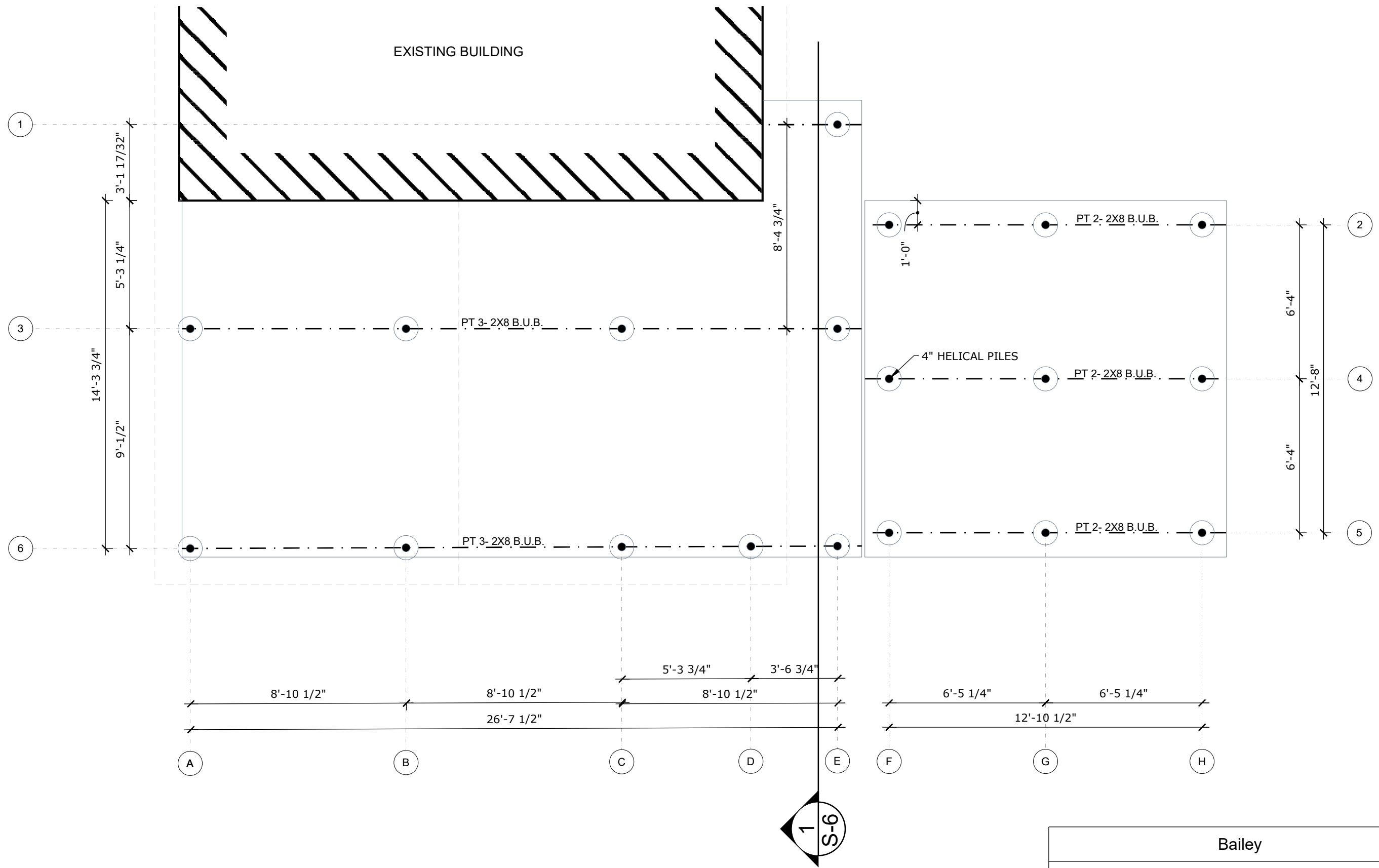
# **BAILEY**

## **TABLE OF CONTENTS**

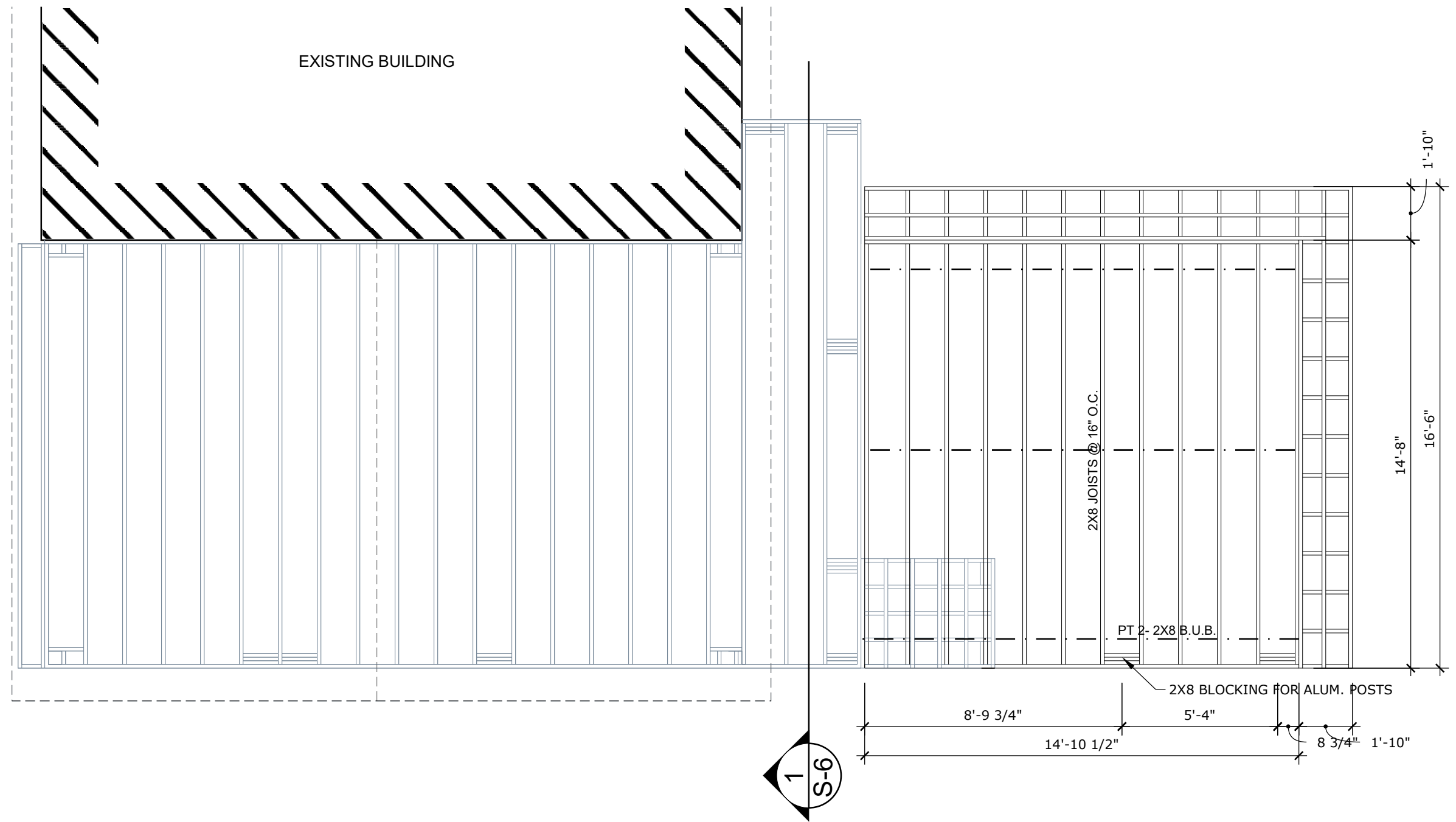
A-1 ARCHITECTURAL FLOOR PLANS
S-1 FOUNDATION PLAN
S-2 LOWER STRUCTURAL FLOOR PLAN
S-3 UPPER STRUCTURAL FLOOR PLAN
S-4 ROOF FRAMING PLAN
S-5 STRUCTURAL ELEVATION
S-6 BUILDING SECTION
S-7 RAILING & STAIR PLAN
S-8 DETAILS



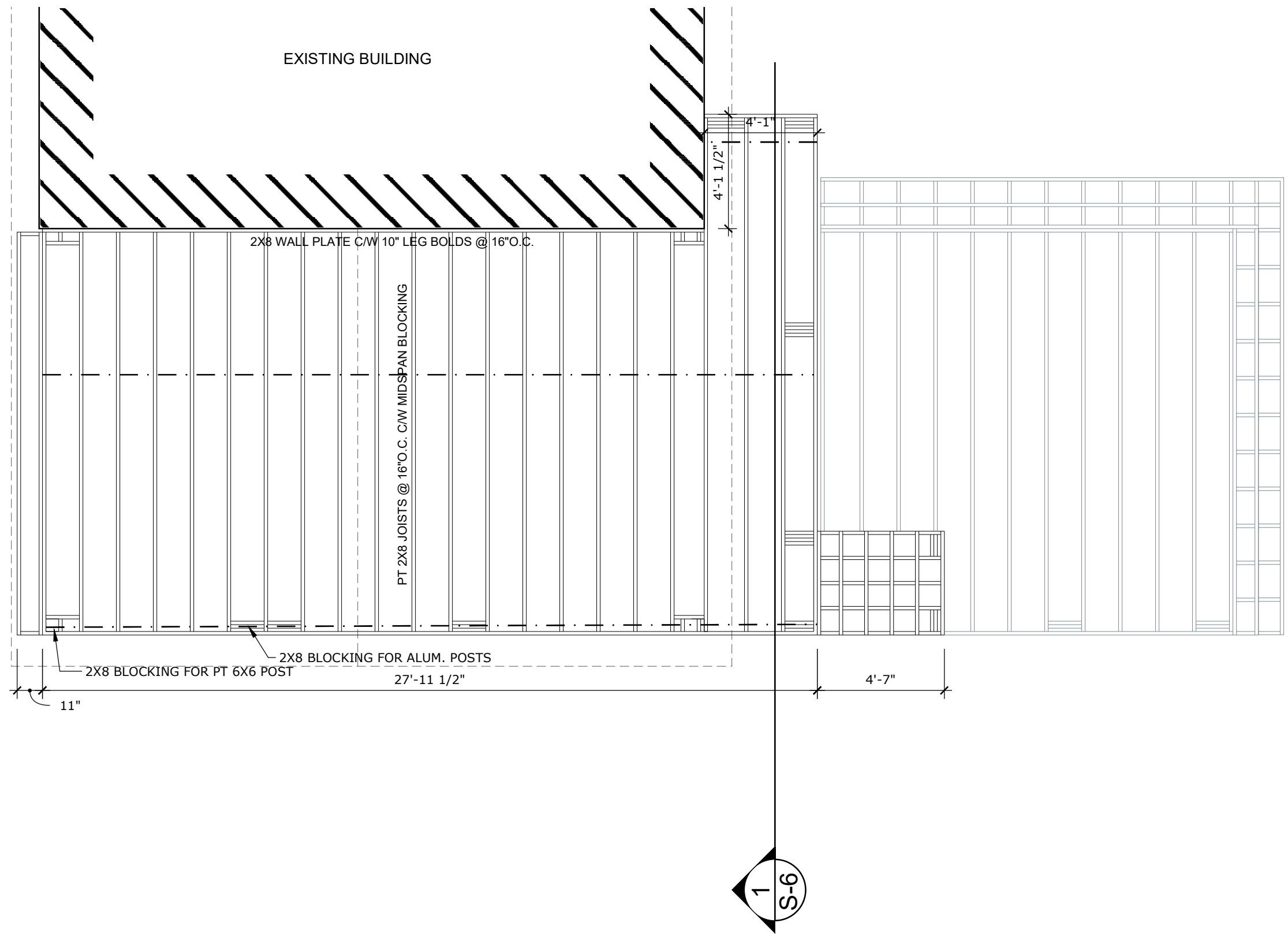
Bailey		
ARCHITECTURAL FLOOR PLAN		
DRAWN BY:	NATHAN ADAM	SHEET NO.
DATE:	31 MARCH 24	SCALE:
		1/4" = 1'-0"
		<b>A-1</b>



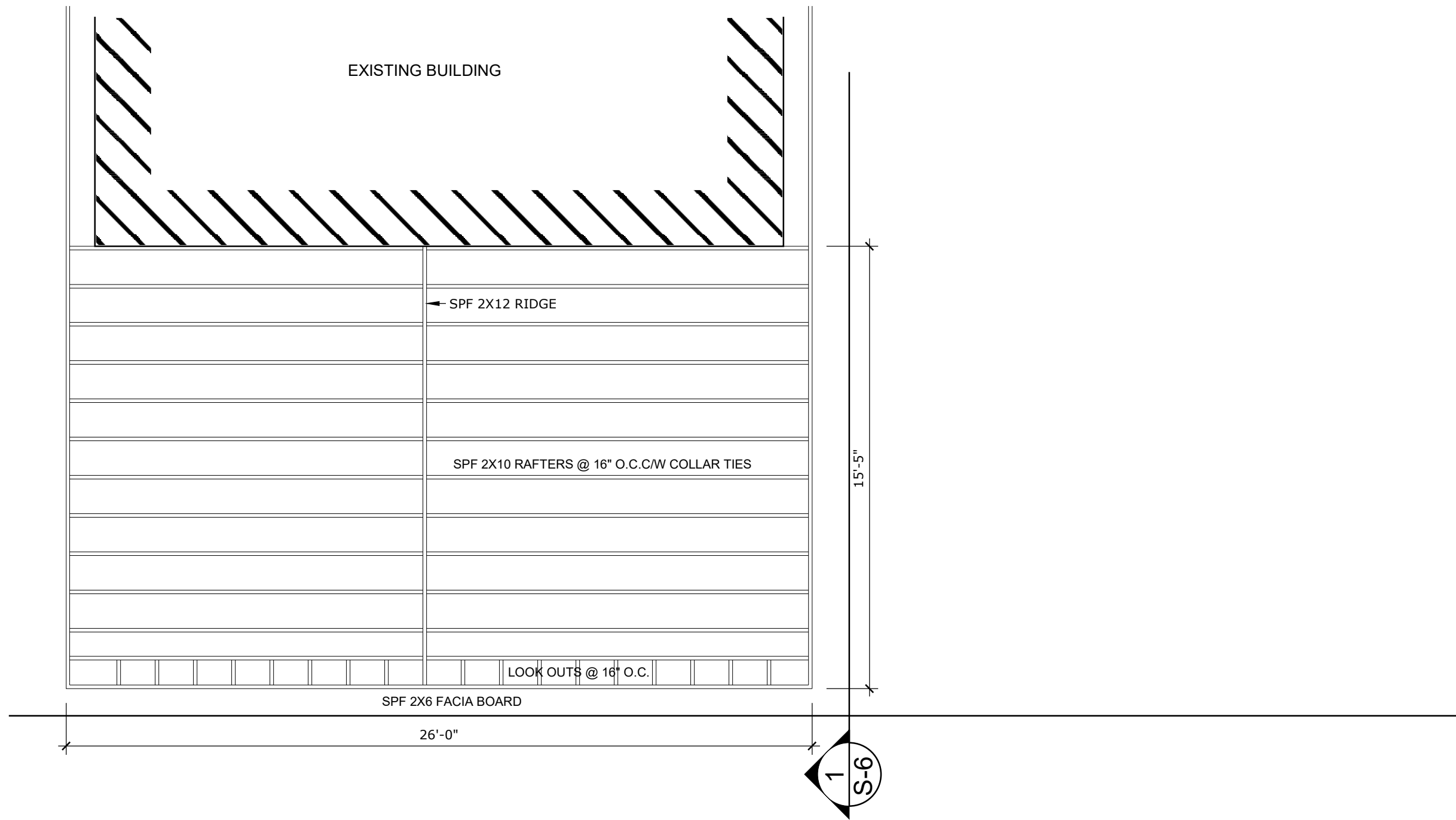
Bailey		
FOUNDATION PLAN		
DRAWN BY: NATHAN ADAM		SHEET NO.
DATE: 31 MARCH 24	SCALE: 1/4" = 1'-0"	<b>S-1</b>



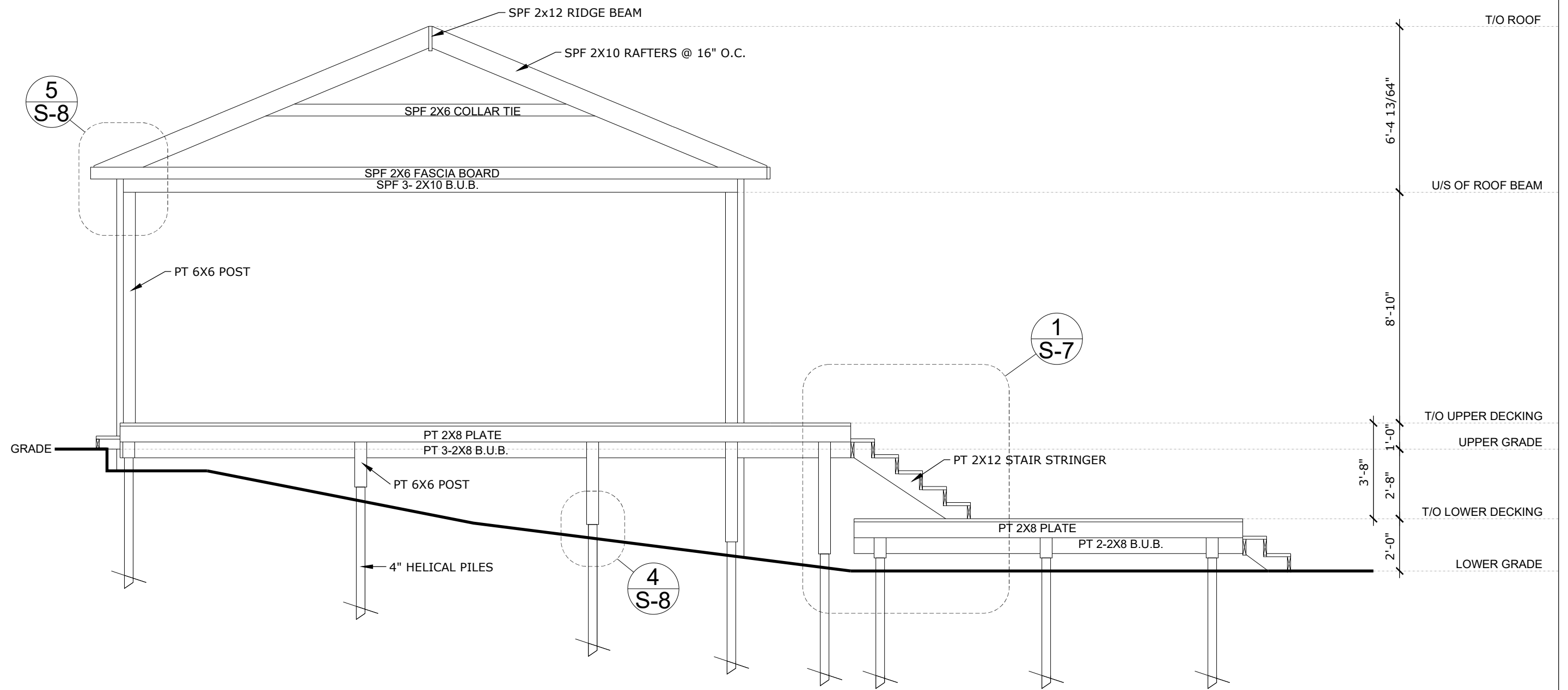
Bailey		
LOWER STRUCTURAL FLOOR PLAN		
DRAWN BY: NATHAN ADAM		SHEET NO.
DATE: 31 MARCH 24	SCALE: 1/4" = 1'-0"	<b>S-2</b>



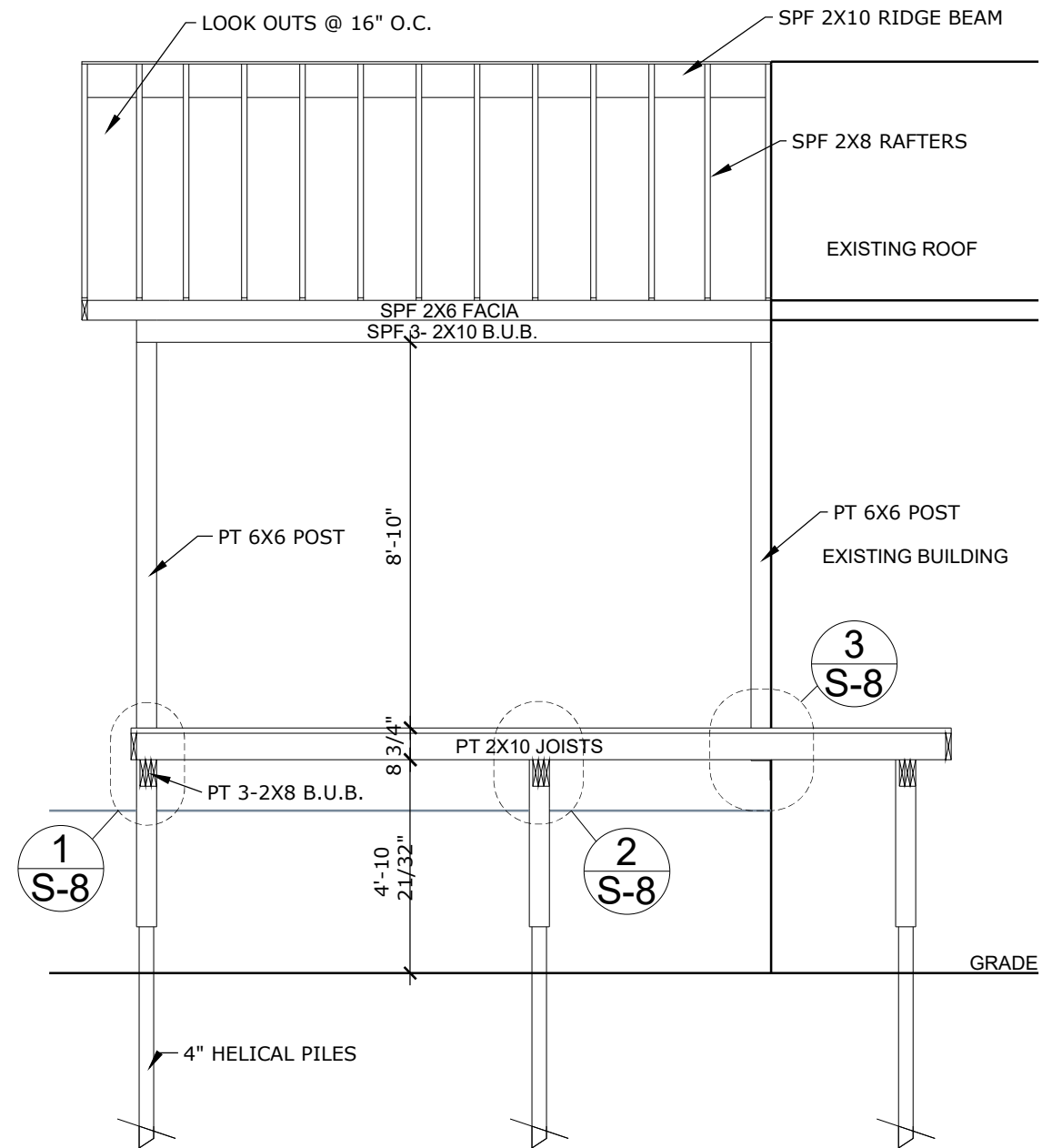
Bailey		
UPPER STRUCTURAL FLOOR PLAN		
DRAWN BY:	NATHAN ADAM	SHEET NO.
DATE:	31 MARCH 24	SCALE:
		1/4" = 1'-0"
		S-3



Bailey		
ROOF FRAMING PLAN		
DRAWN BY: NATHAN ADAM		SHEET NO.
DATE: 31 MARCH 24	SCALE: 1/4" = 1'-0"	<b>S-4</b>

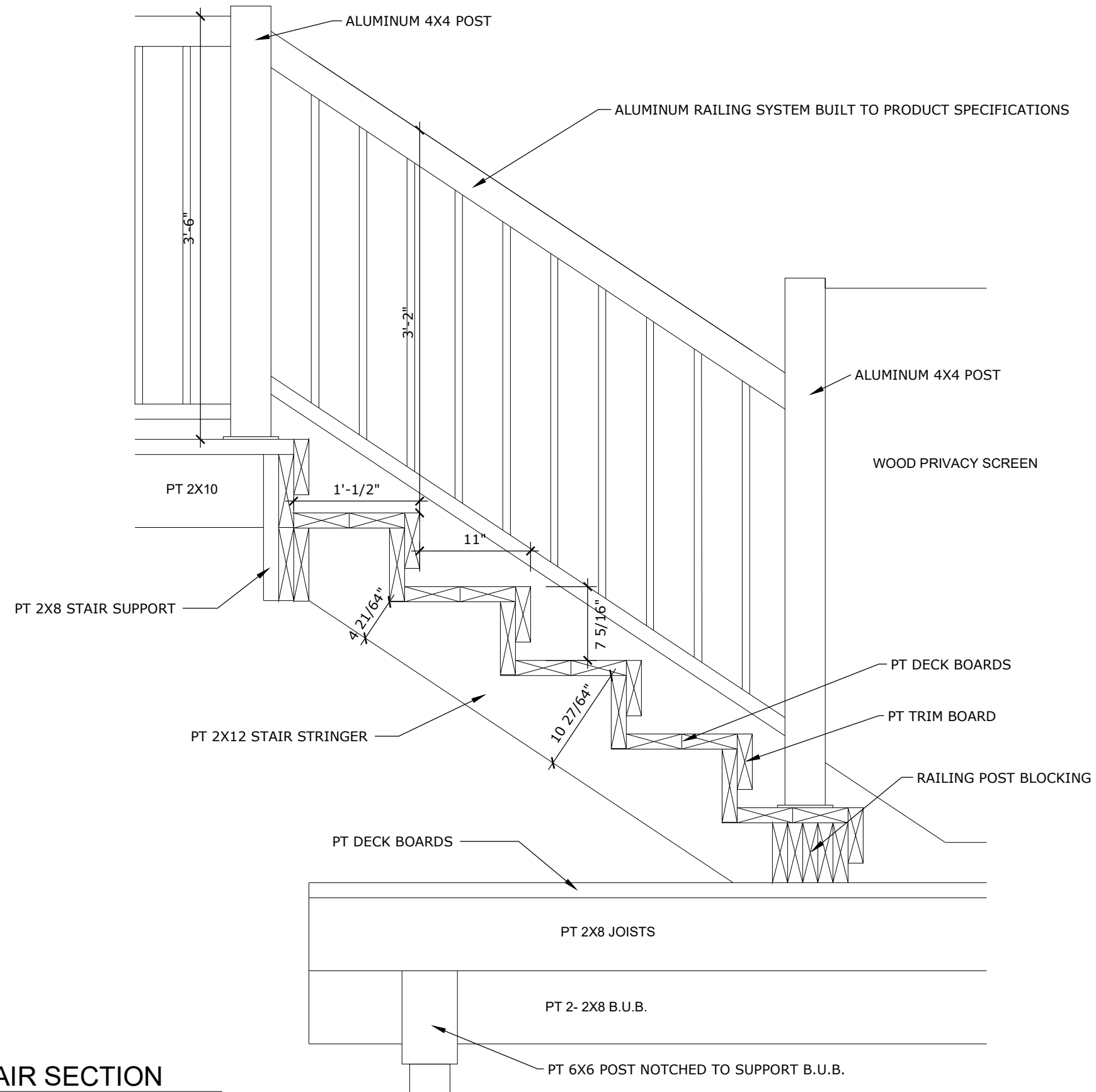


Bailey		
STRUCTURAL ELEVATION		
DRAWN BY: NATHAN ADAM		SHEET NO.
DATE: 31 MARCH 24	SCALE: 1/4" = 1'-0"	<b>S-5</b>



Bailey		
BUILDING SECTION		
DRAWN BY: NATHAN ADAM		SHEET NO. <b>S-6</b>
DATE: 31 MARCH 24	SCALE: 1/4" = 1'-0"	

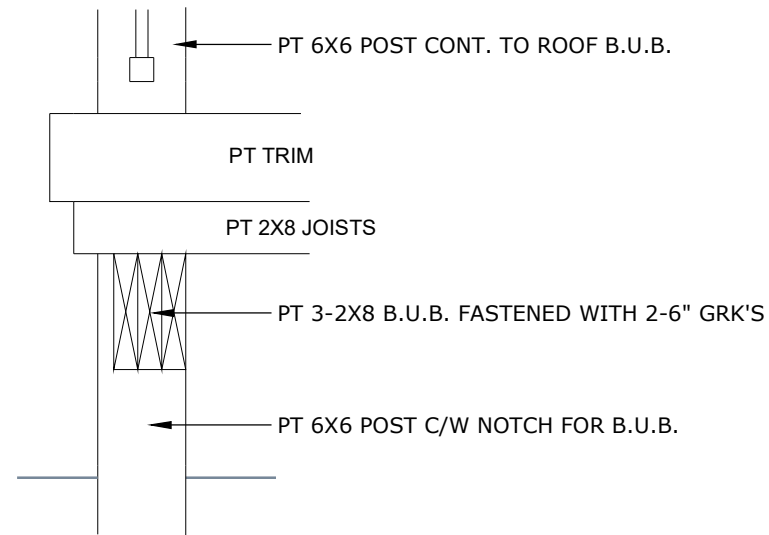




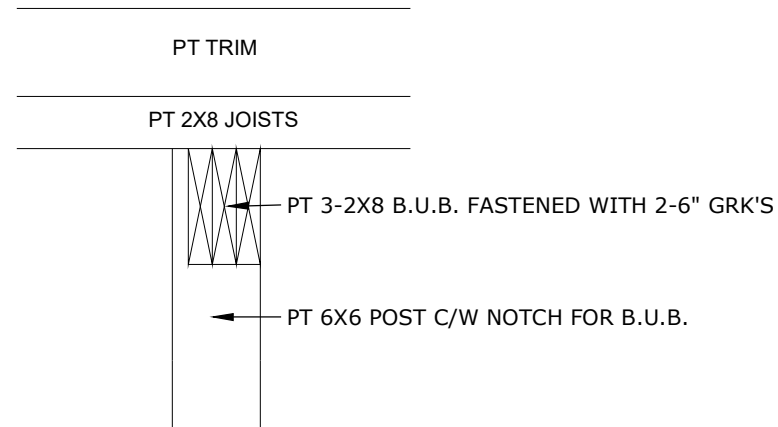
**1**  
**S-7**

**STAIR SECTION**  
SCALE: 1" = 1'-0"

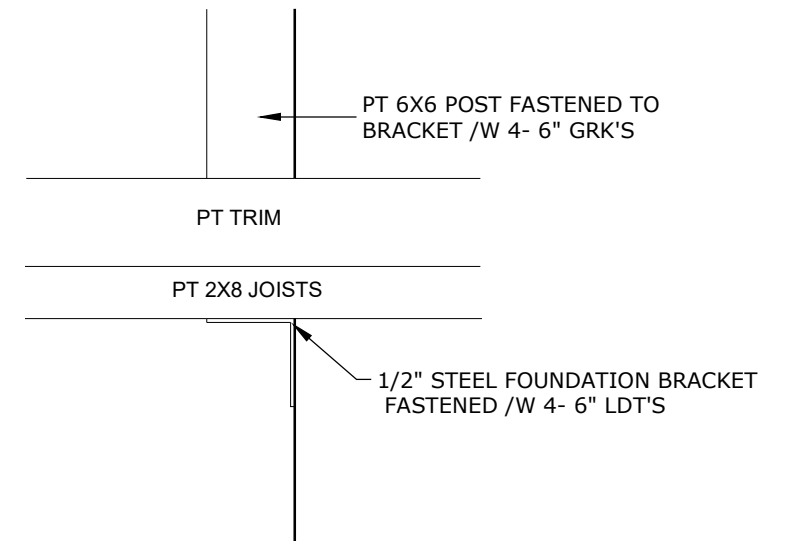
<b>Bailey</b>		
<b>Railing and Stair Detail</b>		
DRAWN BY: NATHAN ADAM		SHEET NO. <b>S-7</b>
DATE: 31 MARCH 24	SCALE: 1" = 1'-0"	



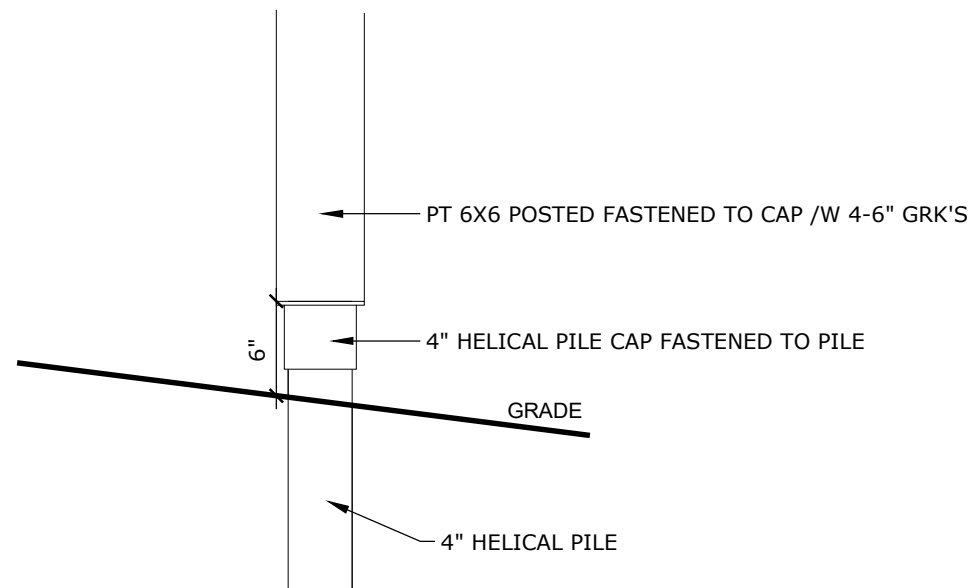
**1**  
**S-8** **BEAM AND POST CONNECTION**  
SCALE: 1" = 1'-0"



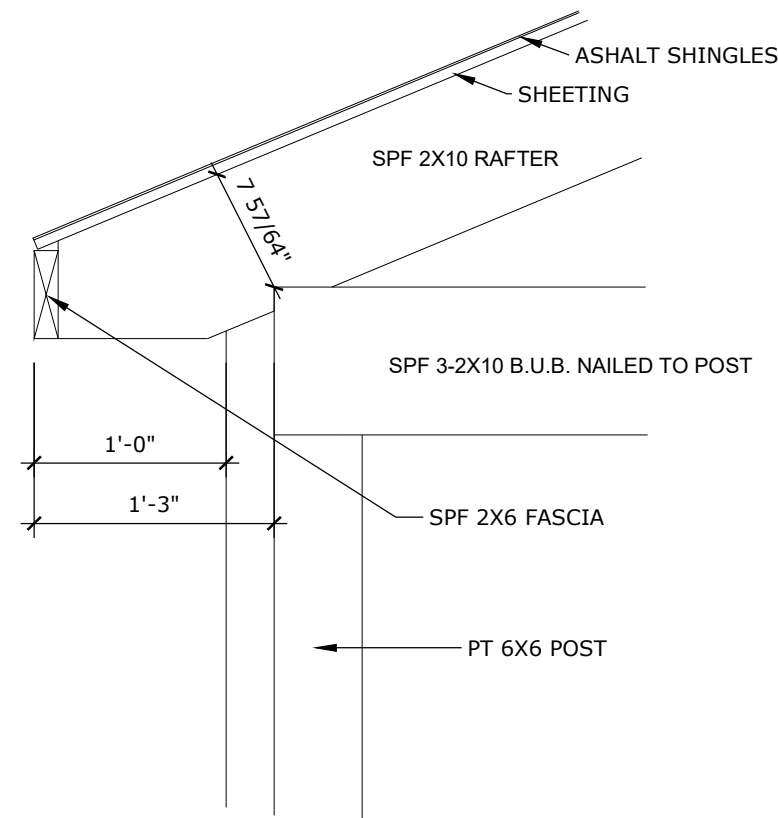
**2**  
**S-8** **TYP. BEAM CONNECTION**  
SCALE: 1" = 1'-0"



**3**  
**S-8** **WALL CONNECTION**  
SCALE: 1" = 1'-0"



**4**  
**S-8** **FOUNDATION CONNECTION**  
SCALE: 1" = 1'-0"



**5**  
**S-8** **POST TO ROOF CONNECTION**  
SCALE: 1" = 1'-0"

Bailey		
Details		
DRAWN BY: NATHAN ADAM		SHEET NO. <b>S-8</b>
DATE: 31 MARCH 24	SCALE: 1" = 1'-0"	